



Compacta

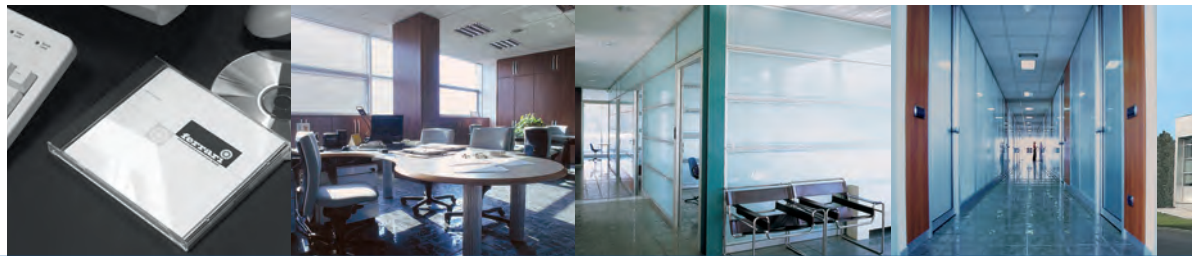


Face frame with
independent adjustment





Compacta



Research & Development
Department.



Strength, wear and fatigue
testing

Corrosion resistance
testing.

Customplan is an interactive software offered by Ferrari. Considering the cabinet configurations and dimensions, it allows to select the most suitable hinge and indicate the hinge position and boring instructions. Customplan, under the heading of "production goods" has been selected in Adi Design Index for year 2000.



Ferrari is certified UNI EN ISO 9001.

Ferrari has obtained the Environmental Quality Certification, UNI EN ISO 14001 for Verderio S. unit.



The quality of all Ferrari's products are constantly controlled in each production step according to a severe Quality Control Program ranging from raw materials to finished product. External audits are carried out at regular intervals by international independent authorities (Italy, France, Germany, Canada, UK, United States, Hong Kong and more), besides our internal quality control, assessing the qualification of "supplier of high quality furniture fittings" after severe tests. Ferrari Quality System is UNI EN ISO 9001 certified, and in 2003 Ferrari has obtained the Environmental Quality Certification, UNI EN ISO 14001, for Verderio S. unit. Quality certifications obtained by Ferrari form an evidence becoming bigger and bigger and are available on request. Our Engineering Department will be at the disposal of all customers for special application not shown in our catalogue. All Ferrari's products differ in very strength and life thus Ferrari won worldwide fame of being manufacturer for no problem hinges. Mechanical strength, for instance, is granted for the whole furniture lifetime. Hinge lasting long time, being hallmark to a quality hinge, is granted by the remarkable precision of the inner mechanism. The surface treatment, being of higher level, grants a long life of the same. All these features grant to the furniture manufacturers and final customer to have done the right thing by choosing a Ferrari product.

Each Ferrari's product is constantly improved according to all market technical requirements and proposals. Ferrari hold the right to alter or amend any technical or structural specifications at any time without notice. Ferrari cannot be held responsible for any usage other than that advise in the catalogue. If particular application is needed which is not in the recommended tables, we suggest to contact Ferrari Technical Department.





Compacta

Contents

Page

Ferrari Quality Control System



00-01

Fixing systems, SPEED



03

Technical details



04-05

Door adjustment

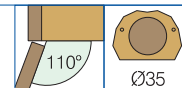


06-07

Compacta 50

110° Ø 35

Series with a short arm for wooden doors. Six way adjustment

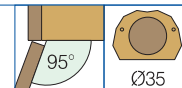


08-09

Compacta 50

95° Ø 35

Series with a short arm for aluminium doors. Six way adjustment

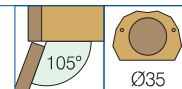


10-11

Compacta 70

105° Ø 35

Series for small overlays
Two way adjustment

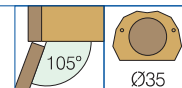


12-13

Compacta 80

105° Ø 35

Series for large overlays
Four way adjustment

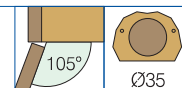


14-15

Compacta 60

105° Ø 35

Series for small overlays
Six way adjustment

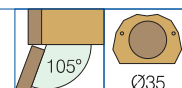


16-17

Compacta 85

105° Ø 35

Series for large overlays
Six way adjustment

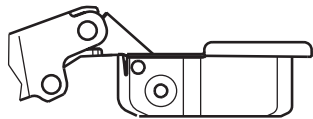


18-19

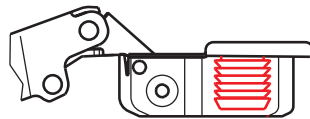


Compacta

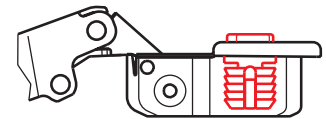
Hinges fixing systems



Chipboard steel screws



Knock-in dowels for Ø8 mm holes

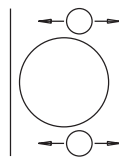


Speed

Speed

U.S. 5.586.364

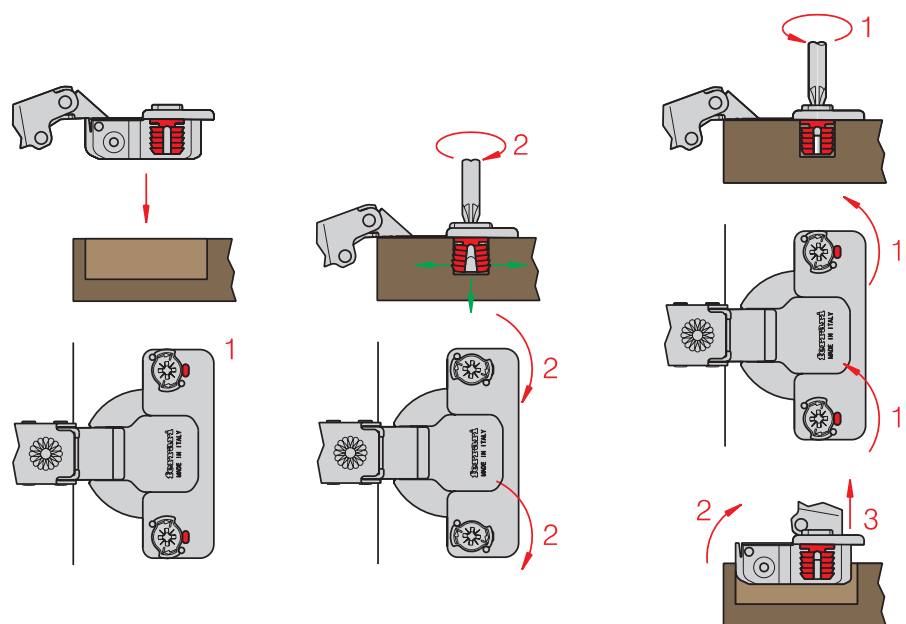
Absolute ease in assembling and disassembling. Total safety. Higher strength, Less risk of surfaces damages. Reduction of costs and packing volumes. Logistic simplification.



The expansion dowels assure a perfect strength with all types of materials. Dowels expand where material is more solid.

Mounting

Demounting

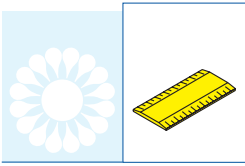


Mounting

Insert the hinge in the standard drilling for dowels Ø 10mm (1). By using a screwdriver turn the eccentric screws 90 degrees until the red mark is covered.

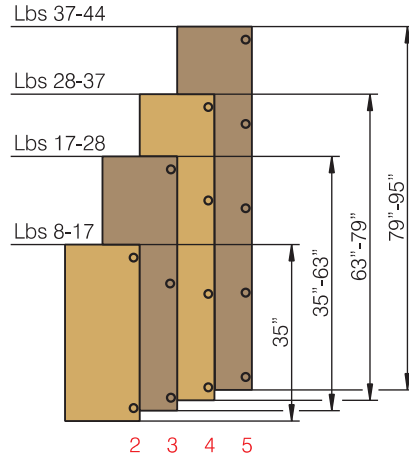
Demounting

By using a screwdriver turn the eccentric screws 90 degrees anticlockwise (1) until the red mark is uncovered. Close the hinge (2) and pull it out vertically (3).



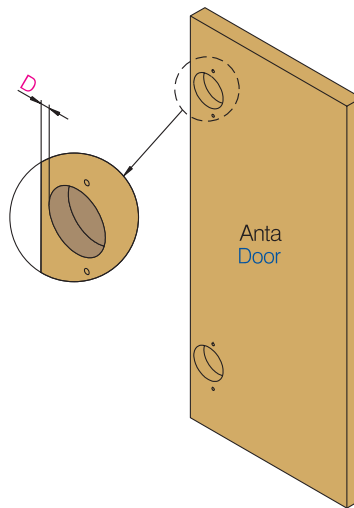
Number of hinges per door

The number of hinges used is determined by the size, weight, consistency of the door material and type of mounting of the hinge. For special requirements it is recommended to perform practical tests or to contact Ferrari's Technical Service.



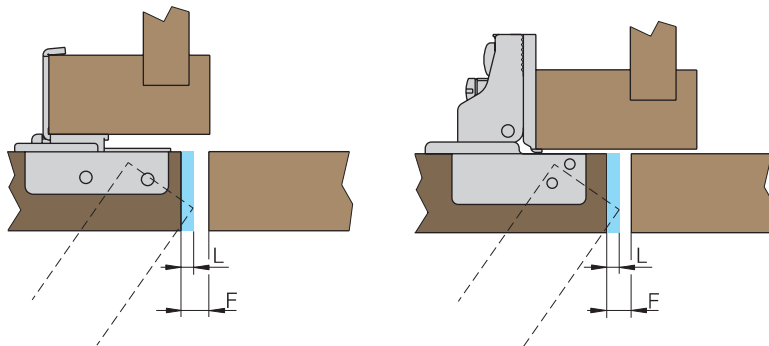
Cup drilling distance "D"

The drilling distance "D" is determined from the figures given in the table that refers to door materials for each type of hinge.



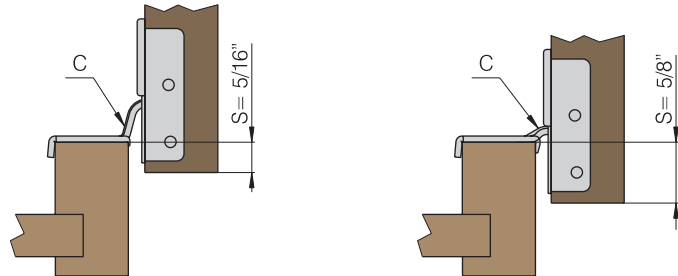
"L" Minimum Reveal "F" Gap

The rotation of the door requires a minimum reveal as indicated by "L". The values of "L" as calculated for square edge doors are shown in the relevant tables and drawings. In general, the gap "F" must be greater than "L". In cases of peculiarly shaped door, it is recommended to contact our Technical Department.



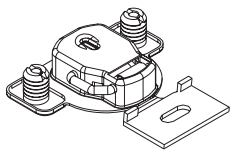
"S" Door overlay

To accommodate various door overlays "S" hinges of the same series are available with different arm crank "C" and the mounting plates for 50 - 90 - 95 series are available in different heights.

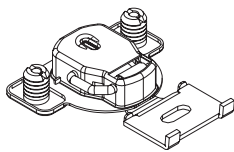


Tabs

C70

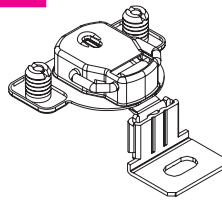


2 tabs

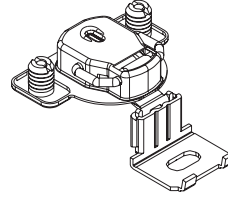


4 tabs

C80



2 tabs

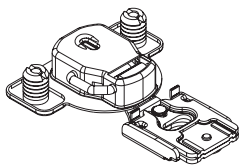


4 tabs

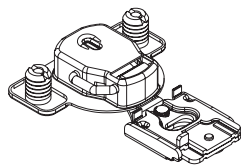
2 TABS:
2 tabs are used for
frame thickness
of 3/4" or greater

4 TABS:
4 tabs are used for
frame thickness
of 3/4" or less

C60

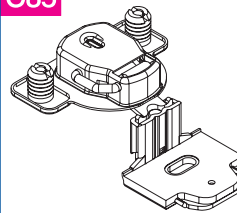


2 tabs

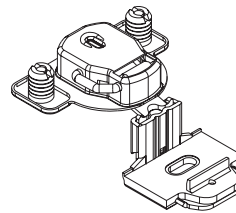


4 tabs

C85



2 tabs

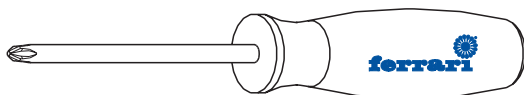


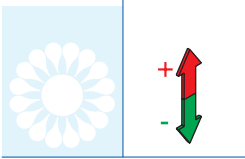
4 tabs

Millimeter/inch conversion table

1	1.5	2	3	4	5	5.5	6	7	8	9	9.5	10	11	12	13	13.5	14	15	16	17	17.5	18	19	20	20.5	21	22	23	24	24.5	25.4
1/32	1/16	3/32	1/8	5/32	3/16	7/32	1/4	9/32	5/16	11/32	3/8	13/32	7/16	15/32	1/2	17/32	9/16	19/32	5/8	21/32	11/16	23/32	3/4	25/32	13/16	27/32	7/8	29/32	15/16	31/32	1

Pzd. 2 screwdriver





Vertical adjustment

		Vertical adjustment		
		1	2	3
C50	Six way adjustment			
C70	Two way adjustment			
C80	Four way adjustment			
C60	Six way adjustment			
C85	Six way adjustment			



Compacta

Door adjustment



Frontal adjustment			Lateral overlay adjustment
1	2	3	
By cam			
By cam			

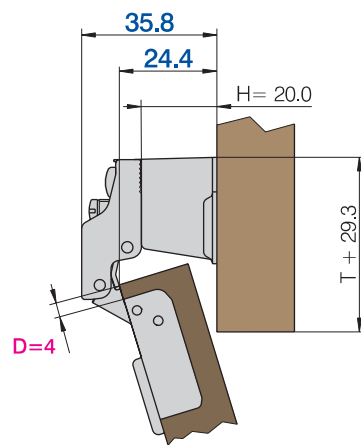
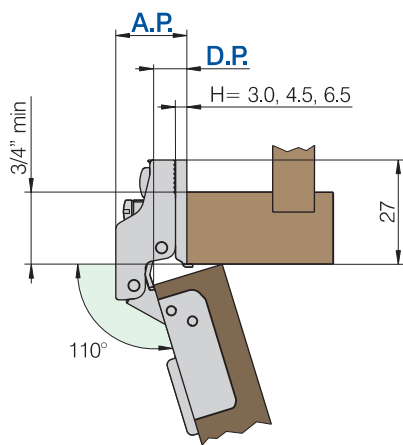
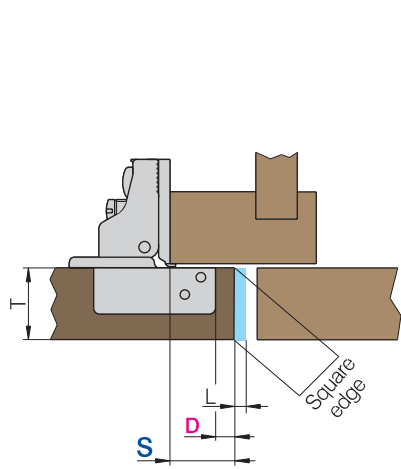
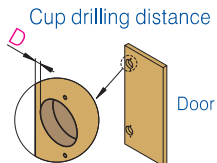


Metallic cover plate (on request)
Cod: **CB03/G**

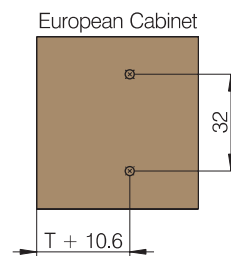
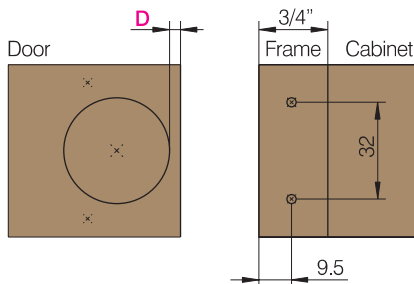
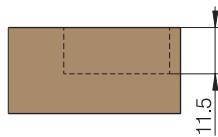
European style slide-on hinges.
Six way adjustment
Available with SPEED fixing system
Baseplate fixing 9.5x32
Can be used on face frame or full European style constructions.
Available for wooden doors or aluminium face frame.
Available for overlay mounting or inset mounting (with height baseplate of 20 mm)

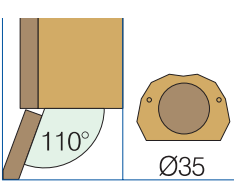
Arm specifications

Minimum Reveal "L"	Door thickness "T"									
	16	17	18	19	20	21	22	23		
Cup drilling distance "D"	3	0.6	0.9	1.2	1.5	1.9	3.0	4.5	5.6	L
	4	0.6	0.8	1.1	1.4	1.8	2.2	3.5	4.6	L
	5	0.6	0.8	1.0	1.4	1.7	2.1	2.5	3.6	L



H	S	D.P.	A.P.
Plate height	Door Overlay	Door Protrusion	Arm protrusion
3.0	5/8" 16.00	11/32" 8.80	3/4" 19.00
4.5	9/16" 14.30	13/32" 10.30	13/16" 20.60
6.5	1/2" 12.70	15/32" 11.90	7/8" 22.20
with D = 4			





Compacta 50 - 110° Ø35

For wooden doors



Technical details



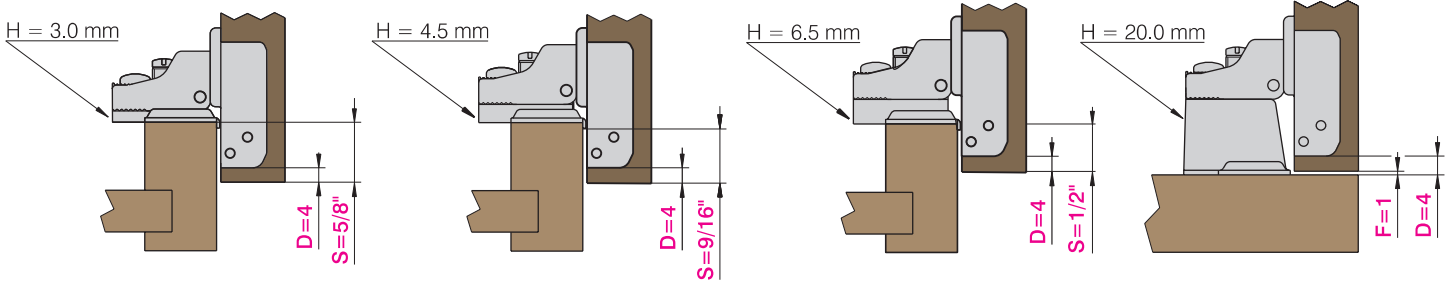
04-05

Door Adjustment



06-07

Available Overlays

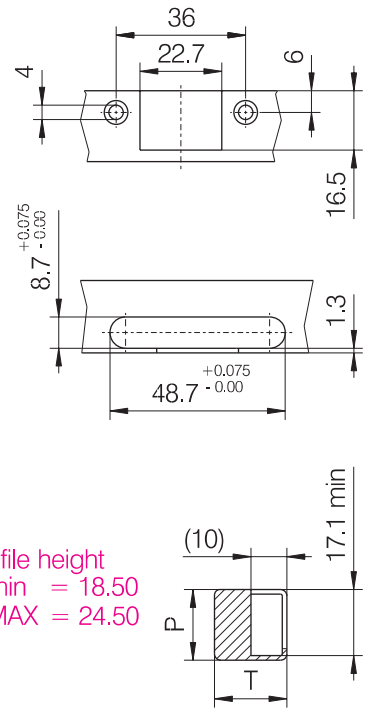
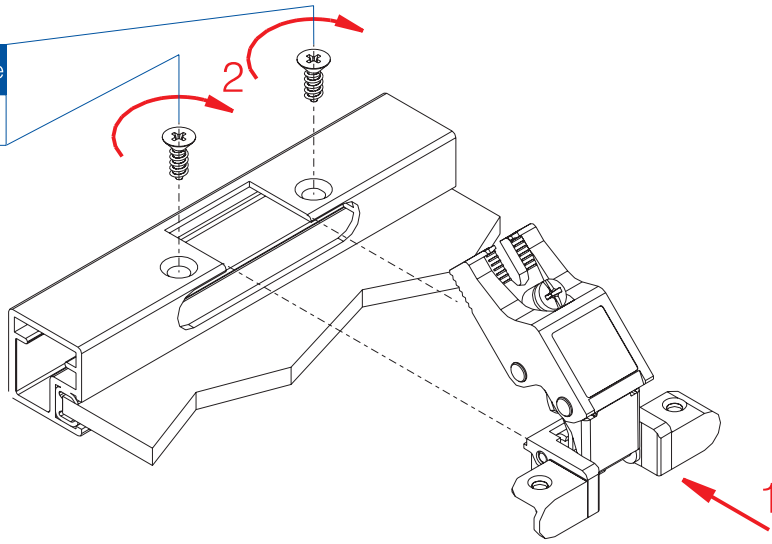


	45			48		
	Woodscrew	Dowels	Fast fixing	Woodscrew	Dowels	Fast fixing
Drilling distance						
$D =$ Cup drilling distance $S =$ Overlay $F =$ Gap						
Hinge arm crank				SPEED		
0				SPEED		
Overlay Mounting	$H = 15 + D - S$					
	H500790GGN	H500810GGN	H504190GGN	H500870GGN	H500910GGN	H504070GGN
Inset Mounting	$F = 5 - D$					
Mounting plate				Fixing system		
				 $\text{Ø}4 \times 16$ 32		
				 9.5 32		
				$H = 3.0$ B0611MG30L7 $H = 4.5$ B0611MG45L7 $H = 6.5$ B0611MG65L7 $H = 20.0$ B0611ZG20L7 Without tabs		



Mounting Instructions

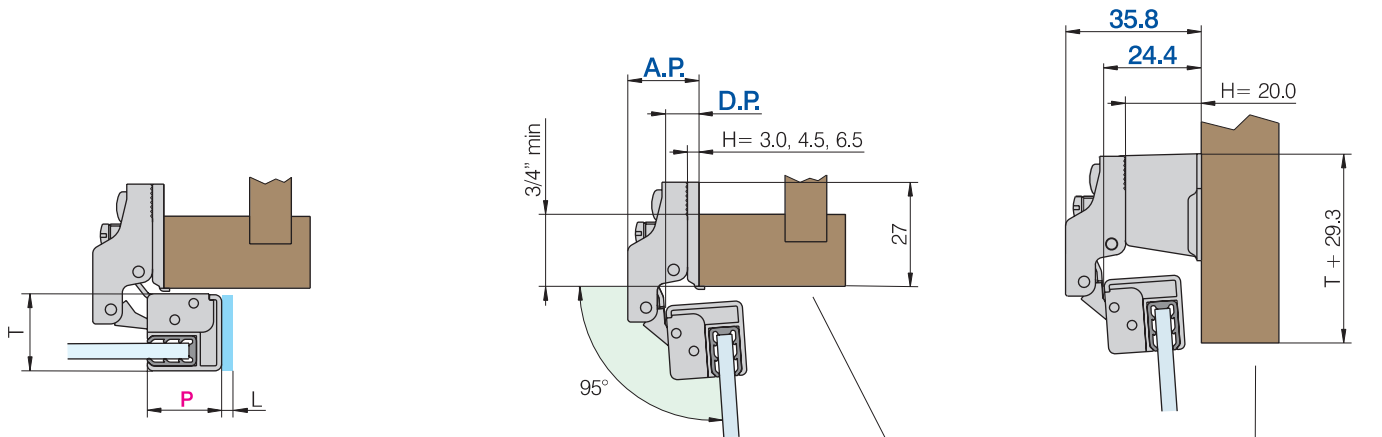
Screw code
V233/G



Profile height
P min = 18.50
P MAX = 24.50

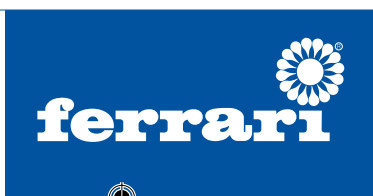
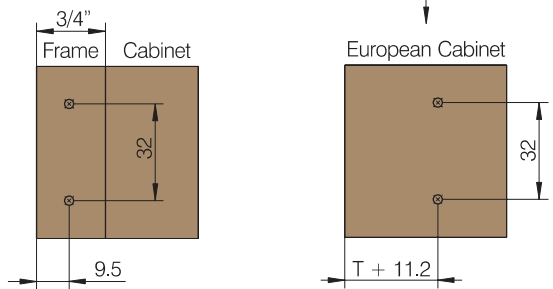
Arm specifications

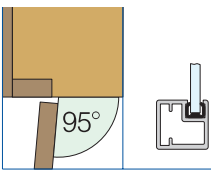
Minimum Reveal "L"	Door thickness "T"																
	17	18	19	20	21	22	23	24	25	26							
Profile width "P"	19	20	21	22	23	24	25	26	27	28	29	30	3.8	3.8	4.2	4.6	L
	0.7	0.9	1.1	1.4	1.6	1.9	2.2	2.6	3.0	3.5	4.0	4.6	3.4	3.3	3.6	3.6	L
	0.7	0.9	1.1	1.4	1.6	1.9	2.2	2.6	3.0	3.5	4.0	4.6	3.4	3.3	3.6	3.6	L
	0.7	0.9	1.1	1.3	1.6	1.9	2.2	2.6	3.0	3.5	4.0	4.6	3.4	3.3	3.6	3.6	L
	0.6	0.8	1.0	1.3	1.5	1.9	2.2	2.5	2.9	3.4	4.0	4.6	3.4	3.3	3.6	3.6	L



H	S	D.P.	A.P.
Plate height	Door Overlay	Door Protrusion	Arm protrusion
3.0	5/8" 16.00	11/32" 8.80	3/4" 19.00
4.5	9/16" 14.30	13/32" 10.30	13/16" 20.60
6.5	1/2" 12.70	15/32" 11.90	7/8" 22.20

with P = 3/4" (19 mm)





Compacta 50 - 95° Ø35

For aluminium doors



Technical details



04-05

Door Adjustment

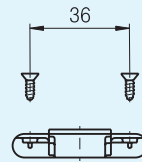


06-07



Drilling distance

36



D = Cup drilling distance

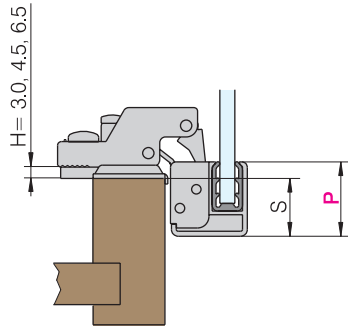
S = Overlay

F = Gap

Hinge arm crank

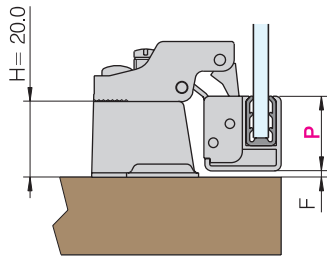
0

Overlay Mounting



$$H = P - 1 - S$$

Inset Mounting

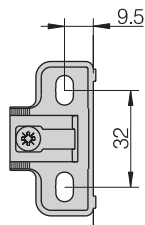


$$F = 21,5 - P$$

C503500GGN

Mounting plate

Fixing system



H = 3.0

B0611MG30L7

H = 4.5

B0611MG45L7

H = 6.5

B0611MG65L7

H = 20.0

B0611ZG20L7

Without tabs

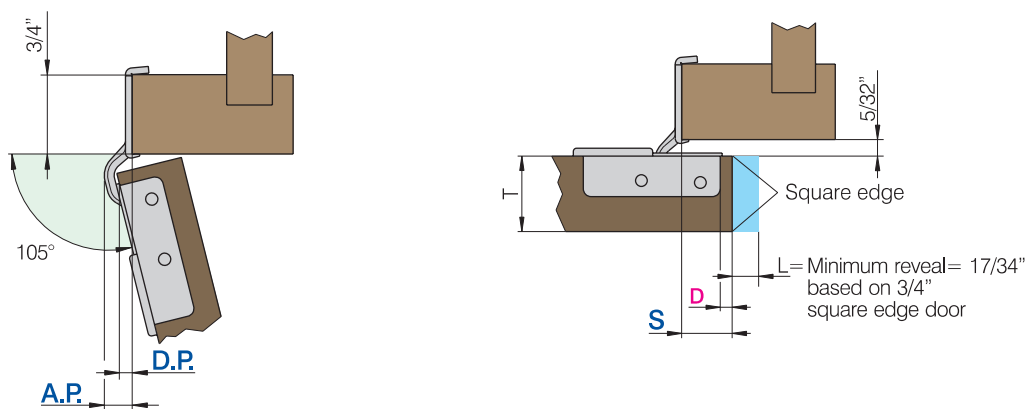


Metallic cover plate (on request)
Cod: **CC71G-M**

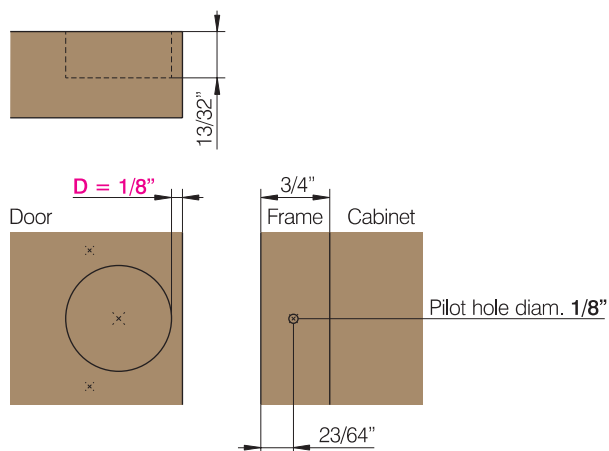
Nylon distance space (on request)
Cod: **SP6F05**

Series for small overlays
Two way adjustment
Available with SPEED fixing system
Available in 2 and 4 tabs.
3/4" max material (frame) thickness on 4 tabs version baseplates
Available with nylon distance space, decrease door overlay 1/16" increments.
U.S. Patent: 5.617.612

Arm specifications

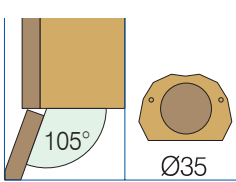


S Door Overlay		D.P. Door Protrusion		A.P. Arm protrusion	
5/16"	7.94	21/64"	8.35	7/16"	11.20
3/8"	9.52	17/64"	6.75	3/8"	9.60
1/2"	12.70	9/64"	3.60	17/64"	6.70
9/16"	14.30	5/64"	2.00	13/64"	5.10
5/8"	15.90	0/0"	0	5/32"	3.90



Note: "D" is a fixed 1/8" (or 3 mm)





Compacta 70 - 110° Ø35



Technical details



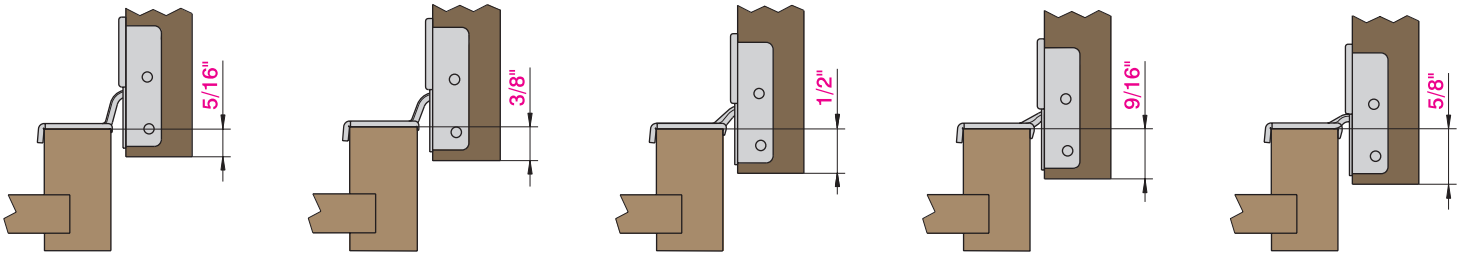
04-05

Door Adjustment



06-07

Available Overlays

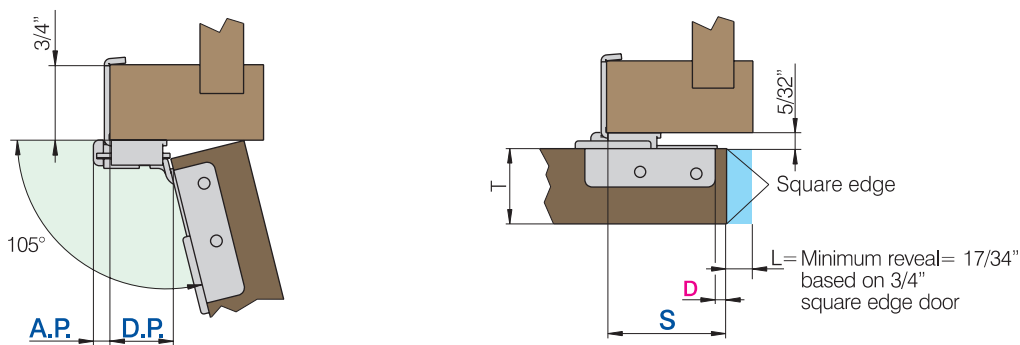


Drilling distance	42		45			
	Woodscrew	Dowels	Woodscrew	Dowels	Fast fixing	
	D = Cup drilling distance S = Overlay F = Gap					
Overlay 5/16"					SPEED	
	4 tabs 2 tabs	C707104GG C70710DGG	C707134GG C70713DGG	C707114GG C70711DGG	C707144GG C70714DGG	C707624GG C70762DGG
Overlay 3/8"						
	4 tabs 2 tabs	C707105GG C70710EGG	C707135GG C70713EGG	C707115GG C70711EGG	C707145GG C70714EGG	C707625GG C70762EGG
Overlay 1/2"						
	4 tabs 2 tabs	C707102GG C70710BGG	C707132GG C70713BGG	C707112GG C70711BGG	C707142GG C70714BGG	C707622GG C70762BGG
Overlay 9/16"						
	4 tabs 2 tabs	C707101GG C70710AGG	C707131GG C70713AGG	C707111GG C70711AGG	C707141GG C70714AGG	C707621GG C70762AGG
Overlay 5/8"						
	4 tabs 2 tabs	C707103GG C70710CGG	C707133GG C70713CGG	C707113GG C70711CGG	C707143GG C70714CGG	C707623GG C70762CGG

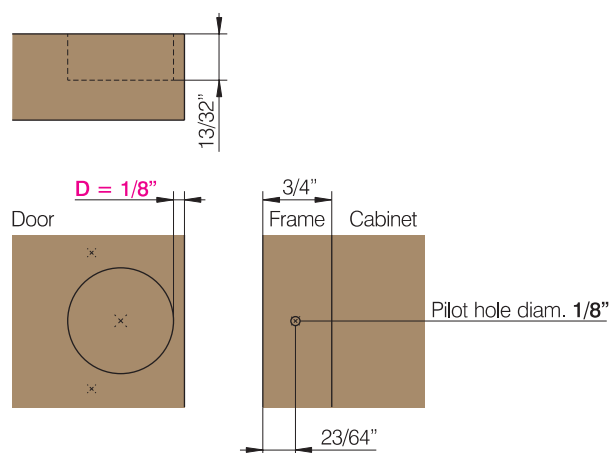


Series for large overlays
 Four way adjustment
 Available with SPEED fixing system
 Available in 2 or 4 tabs.
 3/4" max material (frame) thickness on 4 tabs version baseplates
 U.S. Patent: 5.887.316, 5.617.612

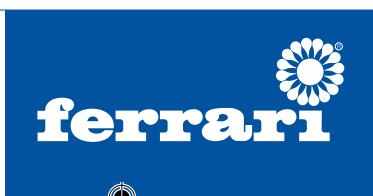
Arm specifications

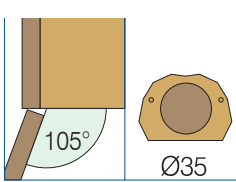


S	D.P.	A.P.
Door Overlay	Door Protrusion	Arm protrusion
1 1/4" 31.75	5/8" 15.90	3/16" 4.70
1 5/16" 33.34	11/16" 17.50	3/32" 2.50
1 3/8" 34.93	3/4" 19.00	1/32" 0.80
1 7/16" 36.51	13/16" 20.60	1/32" 0.80



Note: "D" is a fixed 1/8" (or 3 mm)





Compacta 80 - 105° Ø35



Available Overlays

Technical details

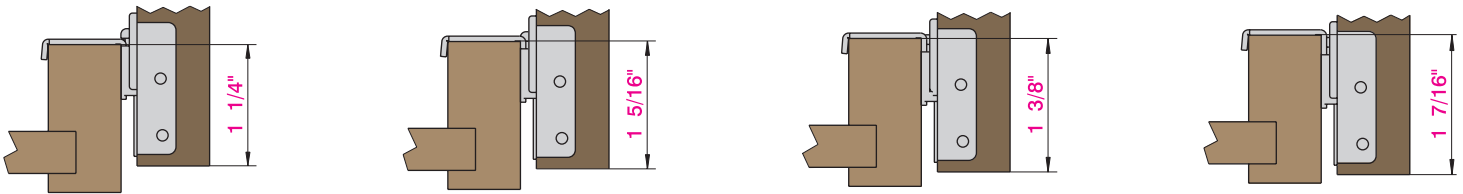


04-05

Door Adjustment



06-07

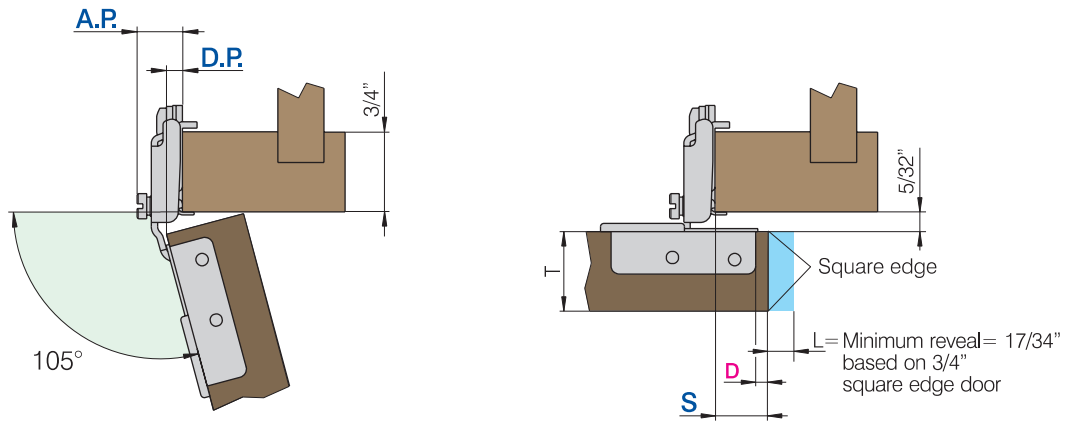


Drilling distance	42		45			
	Woodscrew	Dowels	Woodscrew	Dowels	Fast fixing	
	D = Cup drilling distance S = Overlay F = Gap					
Overlay 1 1/4"					SPEED	
	4 tabs 2 tabs	C807101GG C80710AGG	C807131GG C80713AGG	C807111GG C80711AGG	C807141GG C80714AGG	C807621GG C80762AGG
Overlay 1 5/16"						
	4 tabs 2 tabs	C807102GG C80710BGG	C807132GG C80713BGG	C807112GG C80711BGG	C807142GG C80714BGG	C807622GG C80762BGG
Overlay 1 3/8"						
	4 tabs 2 tabs	C807103GG C80710CGG	C807133GG C80713CGG	C807113GG C80711CGG	C807143GG C80714CGG	C807623GG C80762CGG
Overlay 1 7/16"						
	4 tabs 2 tabs	C807104GG C80710DGG	C807134GG C80713DGG	C807114GG C80711DGG	C807144GG C80714DGG	C807624GG C80762DGG

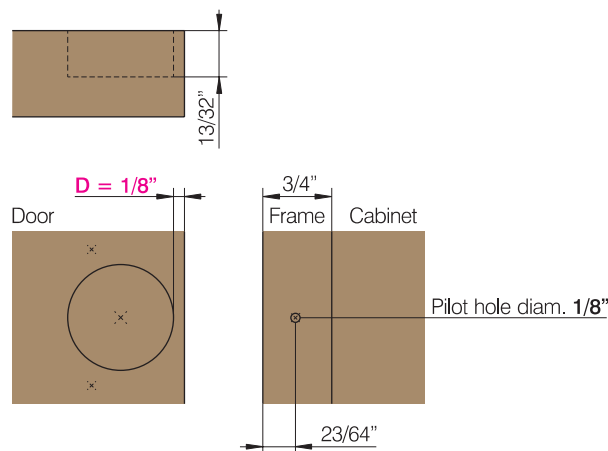


Series for small overlays
 Six way adjustment.
 Available with SPEED fixing system.
 Available in 2 and 4 tabs.
 3/4" max material (frame) thickness on 4 tabs
 version baseplates.
 U.S. Patent: 5.617.612, 6.463.626

Arm specifications

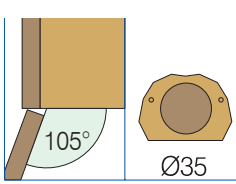


S Door Overlay	D.P. Door Protrusion	A.P. Arm protrusion
7/16" 11.11	7/32" 5.55	7/16" 11.10
1/2" 12.70	5/32" 4.00	7/16" 11.10
9/16" 14.28	3/32" 2.40	7/16" 11.10
5/8" 15.87	1/32" 0.80	7/16" 11.10



Note: "D" is a fixed 1/8" (or 3 mm)





Compacta 60 - 105° Ø35



Technical details



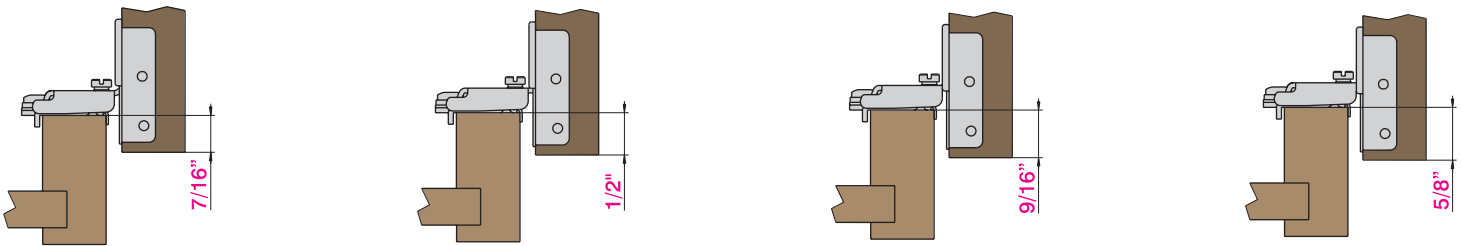
04-05

Door Adjustment



06-07

Available Overlays



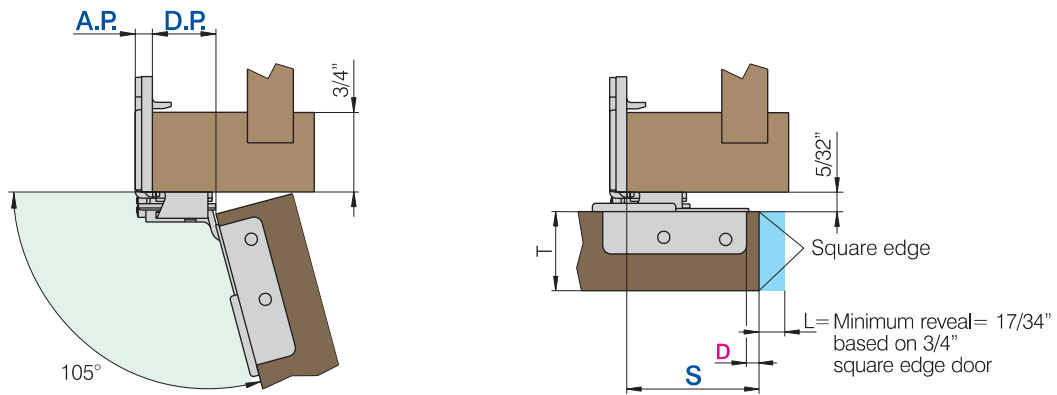
Drilling distance	42		45		
	Woodscrew	Dowels	Woodscrew	Dowels	Fast fixing
	D = Cup drilling distance				
	S = Overlay				
	F = Gap				

Overlay	Diagram	4 Tabs	2 Tabs	Woodscrew	Dowels	Fast fixing
7/16"		C607106GG	C60710FGG	C607116GG	C607146GG	C607626GG
1/2"		C607102GG	C60710BGG	C607112GG	C607142GG	C607622GG
9/16"		C607101GG	C60710AGG	C607111GG	C607141GG	C607621GG
5/8"		C607103GG	C60710CGG	C607113GG	C607143GG	C607623GG

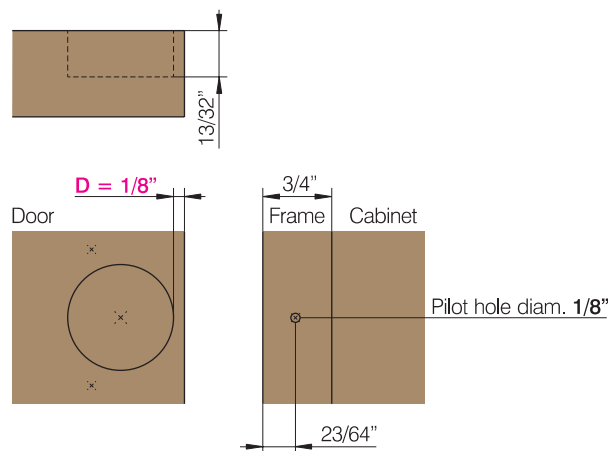


Series for large overlays
 Six way adjustment.
 Available with SPEED fixing system.
 Available in 2 and 4 tabs.
 3/4" max material (frame) thickness on 4 tabs
 version baseplates.
 U.S. Patent: 5.887.316, 5.617.612, 6.779.233

Arm specifications

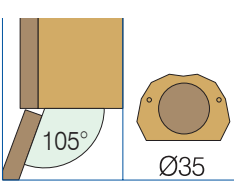


S		D.P.		A.P.	
Door Overlay		Door Protrusion		Arm protrusion	
1 1/4"	31.75	19/32"	15.10	5/32"	4.00
1 3/8"	34.92	3/4"	19.00	5/32"	4.00
1 7/16"	36.51	25/32"	19.84	5/32"	4.00



Note: "D" is a fixed 1/8" (or 3 mm)





Compacta 85 - 105° Ø35



Available Overlays

Technical details

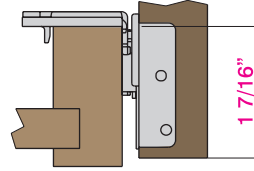
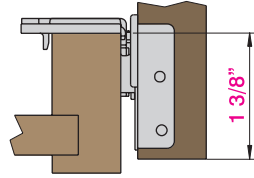
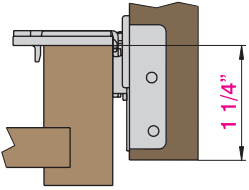


04-05

Door Adjustment

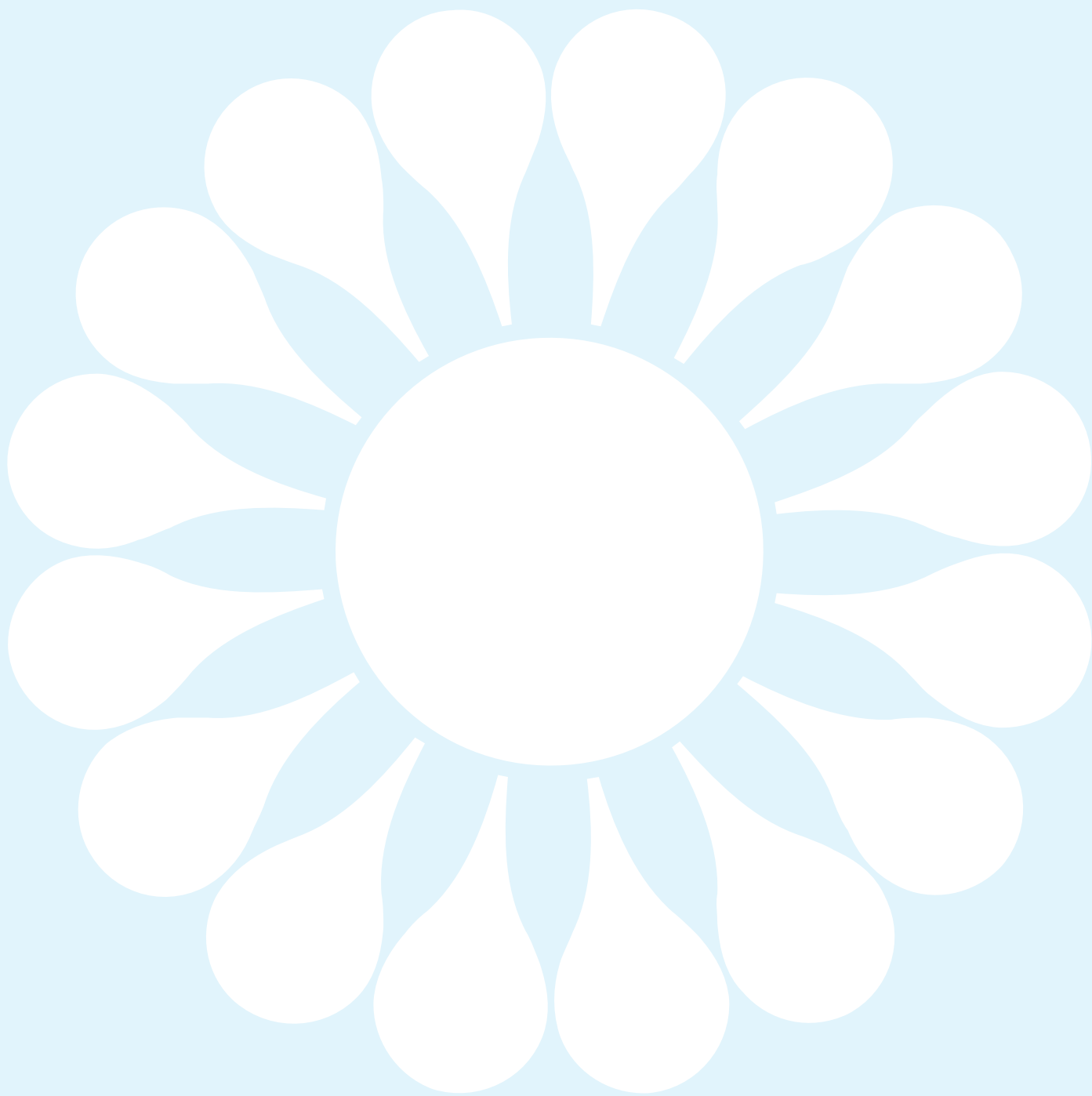


06-07



Drilling distance	42		45			
	Woodscrew	Dowels	Woodscrew	Dowels	Fast fixing	
	D = Cup drilling distance S = Overlay F = Gap					
Overlay 1 1/4"					SPEED	
	4 tabs	C857101GG	C857131GG	C857111GG	C857141GG	C857621GG
	2 tabs	C85710AGG	C85713AGG	C85711AGG	C85714AGG	C85762AGG
Overlay 1 3/8"						
	4 tabs	C857103GG	C857133GG	C857113GG	C857143GG	C857623GG
	2 tabs	C85710CGG	C85713CGG	C85711CGG	C85714CGG	C85762CGG
Overlay 1 7/16"						
	4 tabs	C857104GG	C857134GG	C857114GG	C857144GG	C857624GG
	2 tabs	C85710DGG	C85713DGG	C85711DGG	C85714DGG	C85762DGG






ferrari

A. Ferrari SpA
I - 23879 Verderio (LC)
Via per Cornate, 45
Tel. +39.039.5900
Fax +39.039.5900222

www.ferrarispa.it
e-mail: ferrarispa@ferrarispa.it

F COMPACTA C 1 B



AMERICA

Ferrari America INC.
4189 Eagle Hill Driver Suite 110
27265 High Point - North Carolina U.S.A.
Tel. +1 336 8411445
Fax. +1 336 8413543
www.ferrariamerica.com
e-mail: info@ferrariamerica.com

GERMANY

Agostino Ferrari Germany GmbH
Höferweg 22
32602 Vlotho Germany
Tel. +49 5733 877970
Fax. +49 5733 8779710
www.ferrari-fittings.de
e-mail: ferrari@ferrari-fittings.de

ph luca ventura 10/05 Compacta